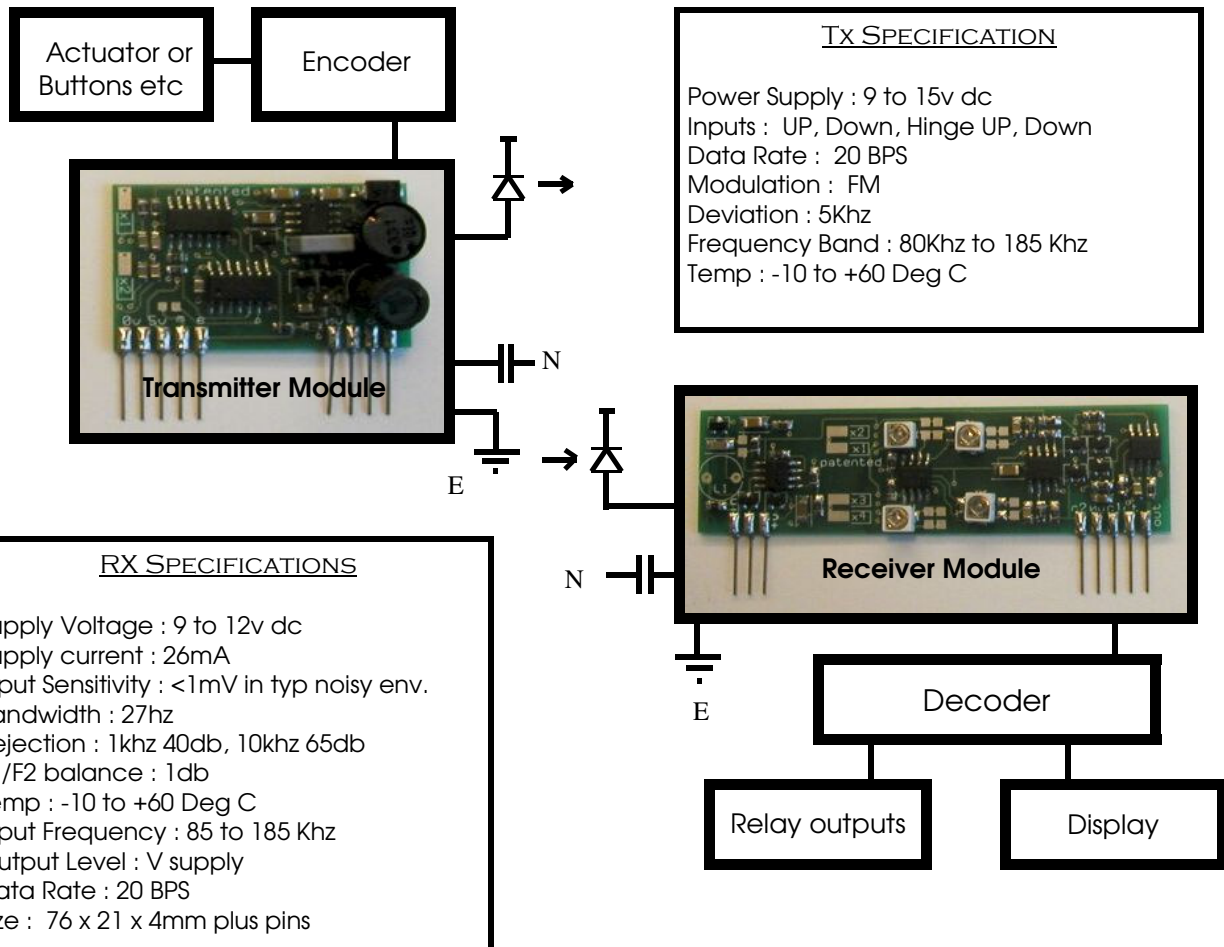


DC DRIVES LTD
 'MERLIN' MODULES
 MODULAR EQUIVALENT TO RADIO LINK
 THROUGH THE MAINS OR INFRARED



Excellent Results Through-the-Mains and Infra-Red !

These modules are designed for sending signals via the mains wiring, operating in the noisy environment of switch-mode power supplies etc. Using very narrow bandwidth and low, but perfectly useful data rates, we have installations in some very large public buildings fed with 3-phase supplies. Communication around the average house, museum, factory-unit or gallery is no problem at all. We then applied the same technique to Infra-Red remote control with staggeringly good results. A standard I/R remote will work, say 25ft, these modules work **10 times further**. The only limitation is the data rate, a 12 bit word takes just under 2 seconds allowing 4096 combinations. For smoke alarms, UP/DOWN Commands or Nurse-calls is fine.

Compared to using Radio Modules, the range and interference-immunity is far better with no EMC issues.
 Up to 10 Systems can operate in parallel by using different frequency pairs .

DC Drives Ltd, Trehawsa, Whitstone, Holsworthy EX22 6TL
 (01288) 341308 Fax 341240 dcdrives@trehawsa.com

DC Drives are Peter Jones & Phil Williams, British Inventors and patent holders

**Products incorporating the technology are marketed through our sister company Xtra-Sense Ltd
 (01404) 43366 Mr Peter Hutcheson www.xtra-sense.co.uk email security@xtra-sense.co.uk**